

Product Instruction Manual

Carnell Bioethanol Fireplace



Product Instruction Manual

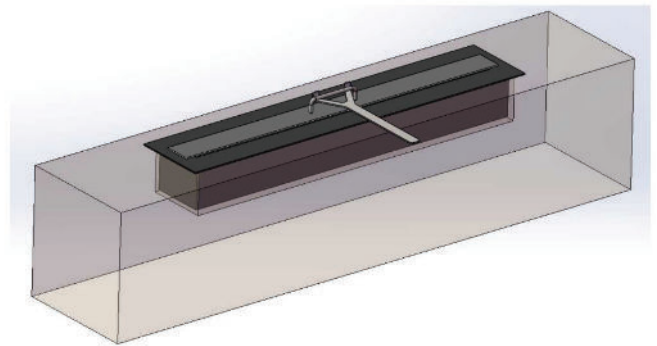
Instructions for Ethanol Fireplace Use

When preparing to use this product, please read this instruction manual carefully and follow the relevant operating steps for installation and use. Failure to install and use according to the manual's requirements may result in unexpected dangers. Please keep this manual for future reference and consultation. Disassembling or damaging internal or external components without following the instructions or using alcohol fireplace products contrary to the operating requirements will result in the user bearing the safety responsibility.

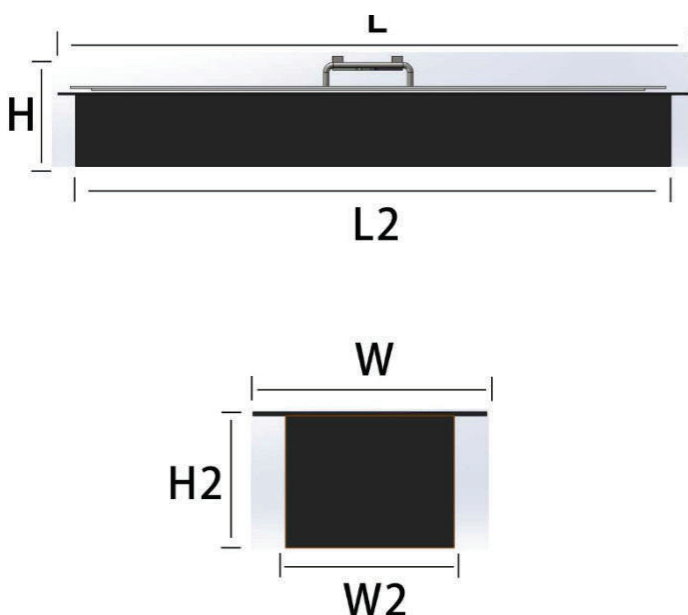
Installation and Usage Diagram

When installing, provide a 5-10mm gap around the fireplace box and reserve openings.

The installation surface must be made of high-temperature, heat-resistant, fire-resistant, flame-retardant, and heat-resistant materials. Avoid flammable and heat-resistant decorative materials within 50-80cm around and above the fireplace installation hole.



Manual Fireplace Reference Diagram



- 1 Install the product on a stone, steel, or brick masonry surface.
- 2 The reserved hole size should be greater than the fireplace box diameter by about 10mm and greater in depth.
- 3 The fireplace panel size should fit the opening surface, covering surrounding holes.
- 4 Remove the fire extinguishing cover and add edible ethanol fuel.
- 5 Ignite the fuel using a long handle igniter. When not in use, lift the cover and seal the fire opening.

Fuel Procurement for Fireplaces

Please purchase "95% pure edible ethanol" locally or online as the fuel for fireplaces. Industrial ethanol, methanol, and other liquids cannot be used! *Fuel capacity - 6L



Fuel options: edible alcohol, bioethanol, medical alcohol. Add fuel following the provided method, ensuring it reaches 80% of the combustion tank height to prevent overflow.

Usage Method for Ignition

Use a long handle igniter to ignite the ethanol in the combustion tank. If not used entirely, extinguish the fire using the top cover.

Halfway Extinguishing:

Lift the fire extinguishing cover (S1) with the handle and cover the burning notch, allowing the flame to naturally extinguish.



Outdoor Use

Avoid exposure to direct sunlight or rain without rainproof facilities. Use a cover when not in use to prevent rainwater entry.

Safety Precautions

- 1 Maintain a safe distance of 30-50cm during combustion.
- 2 Keep children away from the fireplace.
- 3 Use non-flammable materials for the installation platform.
- 4 Add fuel only when the fireplace surface temperature is below 40°C.
- 5 Keep a fire extinguisher close by and avoid using in strong winds.
- 6 Ensure the outdoor environment is free from corrosive substances.

Inspect the product upon receipt for missing quantities, damaged products, or damaged outer boxes. Sign for the goods accurately to ensure the condition of the delivered goods is intact and accurate. Provide timely feedback for any issues.

