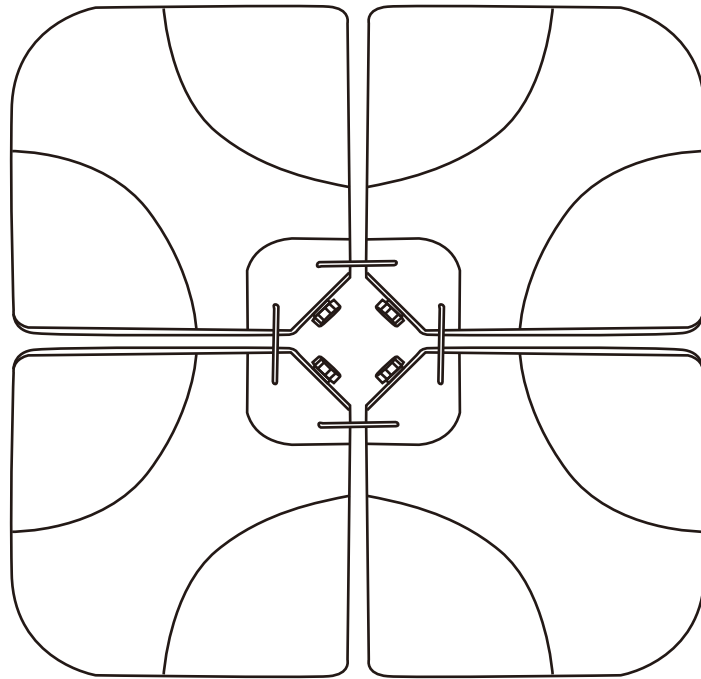


nustone

ASSEMBLY INSTRUCTIONS

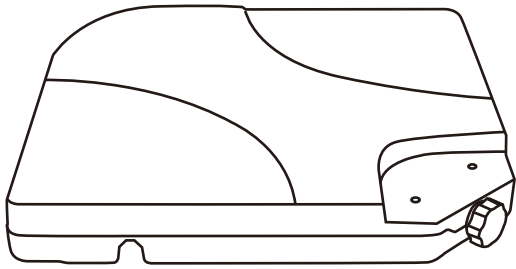
Cantilever Parasol Base



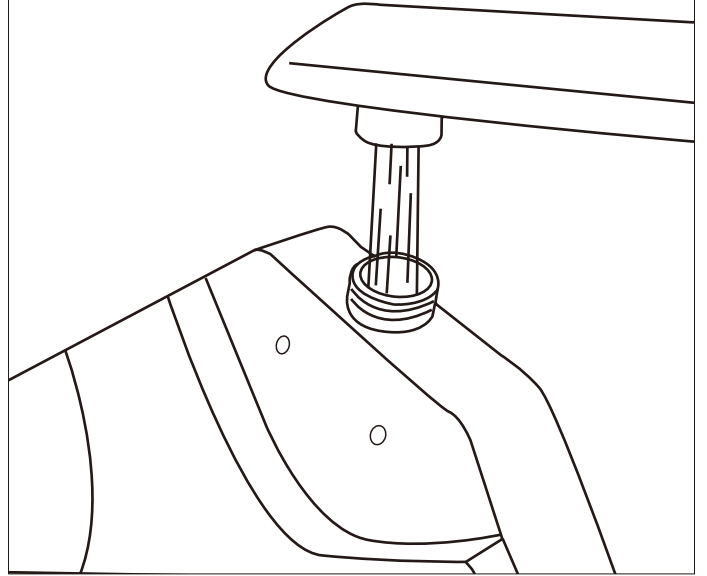
IMPORTANT NOTICE

This booklet contains assembling & care instructions.
Please read the instructions before assembling the
product and retain for future reference.

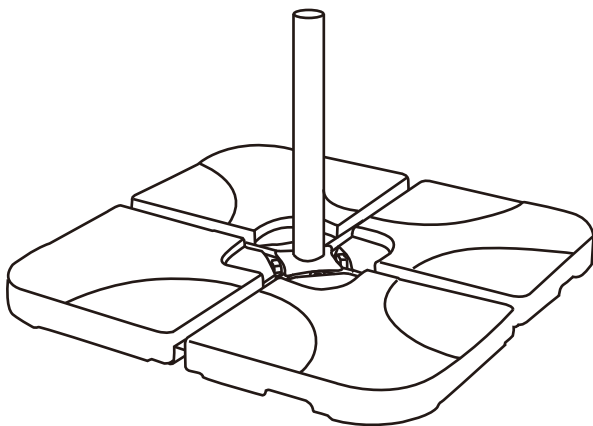
① Take out the product



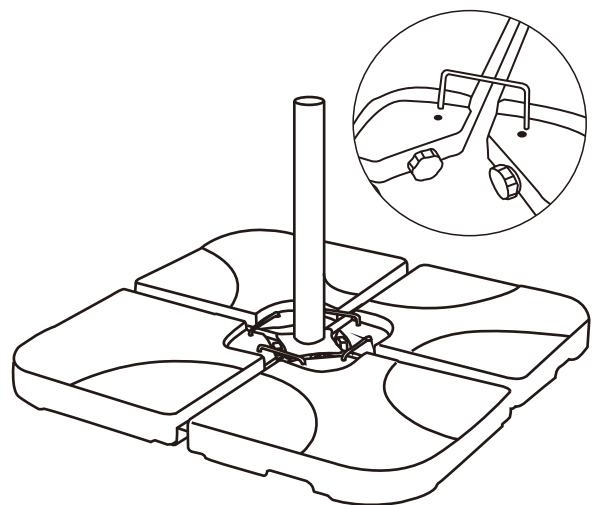
② Fill each base with water



③ Place the base on the bracket of the umbrella



④ Fix adjacent bases with U-shaped needles



nustone

Better Patios. Better Prices.

 01206 700 599

 support@nustone.co.uk

 www.nustone.co.uk

Connect With Us

@nustone_uk



Scan me!

To view our full range of:

- Paving
- Fencing
- Furniture
- Planters
- Fireplaces
- Plus much more...