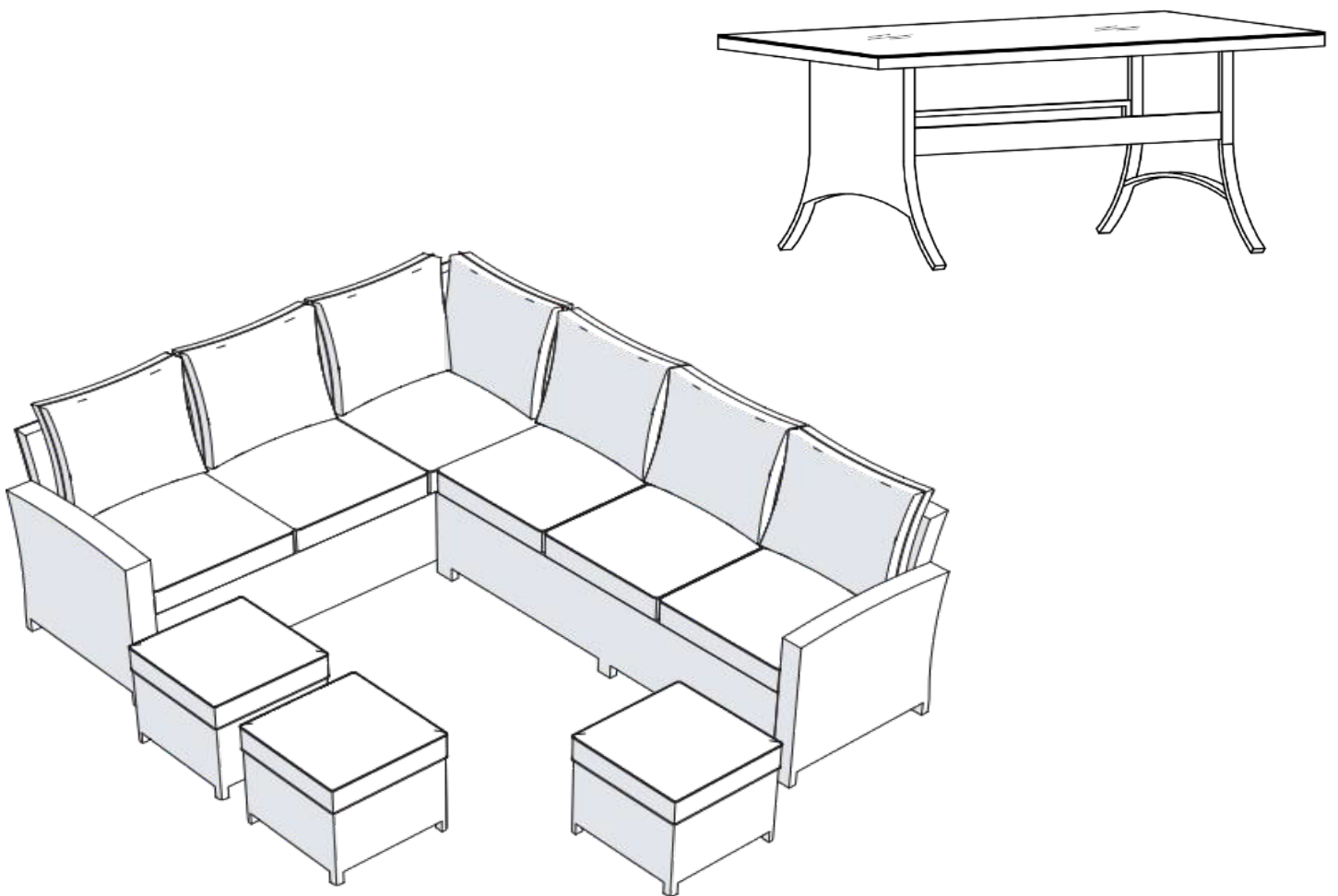


nustone

ASSEMBLY INSTRUCTIONS

Corner Rattan Dining Set and 3 Stools:
Sofa, Stools & Table



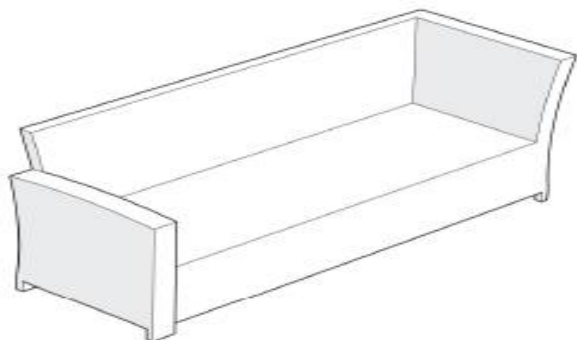
Glass! Handle with care

IMPORTANT NOTICE

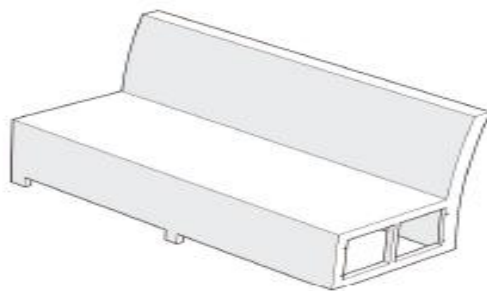
This booklet contains assembling & care instructions.
Please read the instructions before assembling the
product and retain for future reference.

Parts list : Sofa & Stools

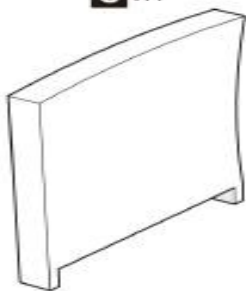
A x1



B x1



C x1



D x7



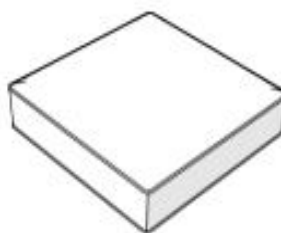
F x6



G x3



H x3



I x4



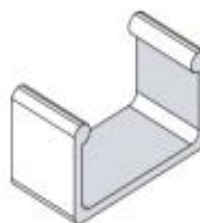
J x4



K x1



L x1



Parts list

Part No	Quantity	Part Description
A	1	Sofa bench with fixed arm
B	1	Sofa bench without fixed arm
C	1	Arm
D	7	Back cushion
F	6	Base cushion
G	3	Stool
H	3	Stool cushion
I	4	Washers
J	4	M6 x 35mm Screws
K	1	Allen key
L	1	Sofa Clips

SAFETY ADVICE - THIS PRODUCT IS FOR OUTDOOR USE ONLY.

BEFORE YOU START:

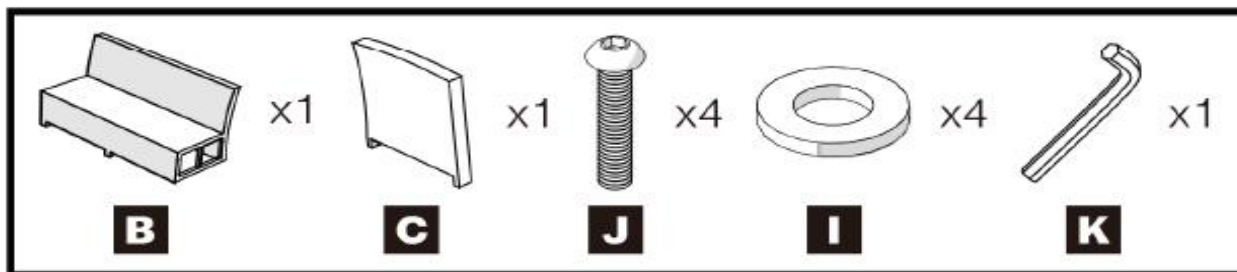
- **Ensure that you read this manual before starting to assemble your item(s).**
- Check that you have all parts from the above parts list. Do not throw away any packaging until you are confident that you have all parts.
- Assemble this product on a soft/flat surface.
- Keep any plastic bags, tools and fittings away from children.
- Throughout the assembly process, make sure all fittings are only finger tight. Upon completion, securely tighten all fittings.
- After prolonged use we recommended you check all the fittings are tightened securely.
- Please do not modify this product, use other tools or substitute parts to build your item(s).
- Do not use power tools or any other tools other than those recommended to build this product.
- It is recommended that two people should assemble this product.
- To avoid danger, please keep all plastic bags away from children and do not leave tools unattended during the assembly process.
- Depending on the item(s) you have ordered, there may be heavy parts within this packaging. Ensure you lift with the correct posture & technique. Please get help for moving and/or lifting if necessary.

- Please only use this product for its intended purpose as outdoor furniture within a residential environment.
- We do not hold any responsibility for any damages caused due to normal wear and tear, incorrect assembly, misuse and/or negligence
- We reserve the right to make changes for product improvements.
- Please recycle packaging where possible following local recycling guidelines/facilities.

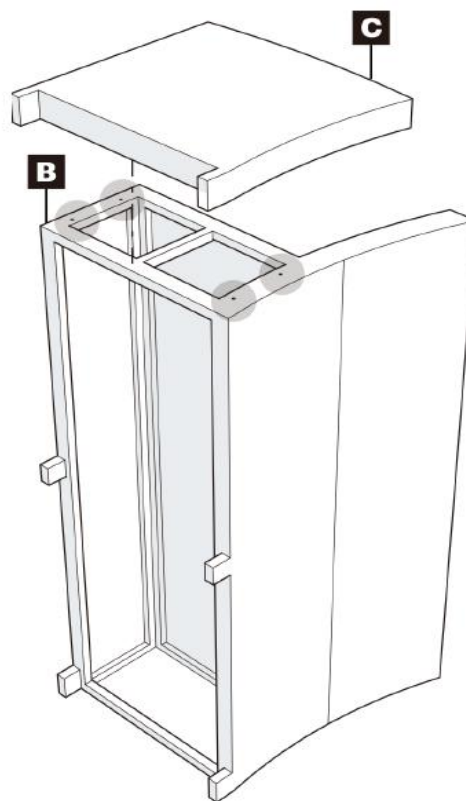
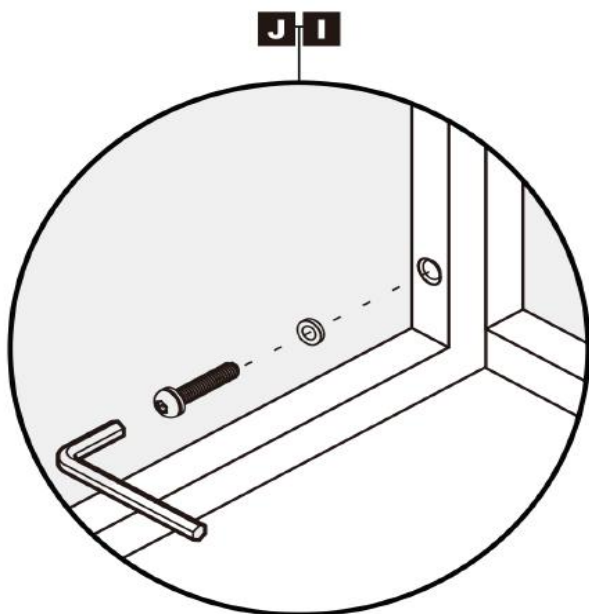
ASSEMBLY

STEP 1

When assembling the furniture, please utilise the outer cardboard packaging, where possible, to protect the product and prevent damages to your furniture .

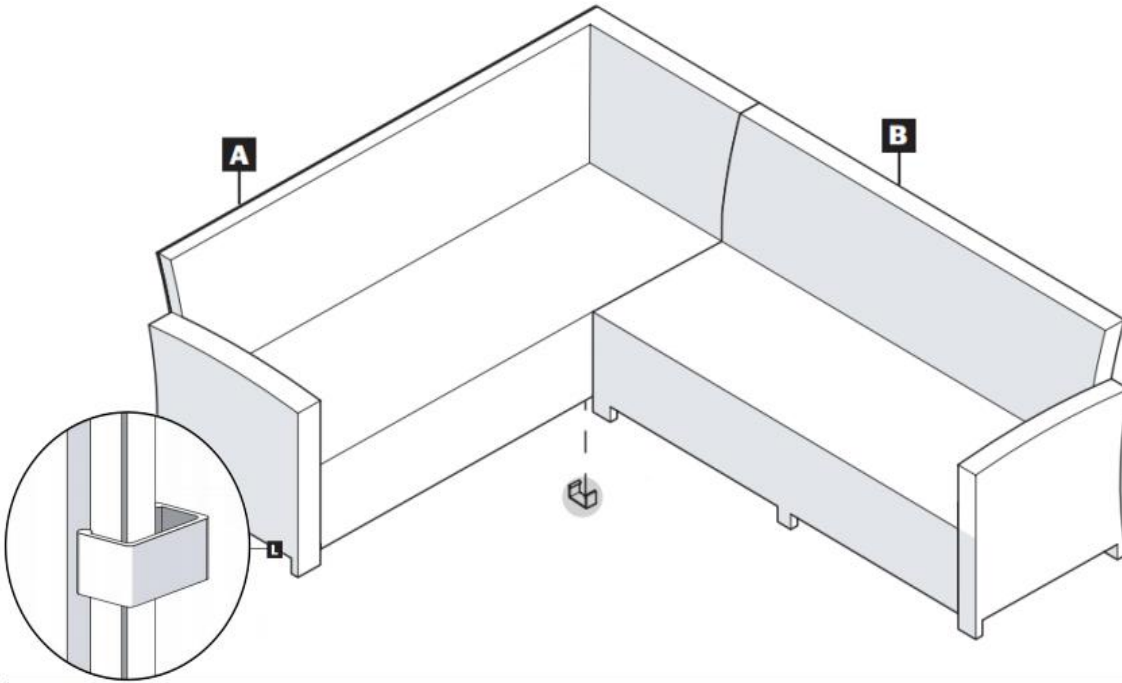
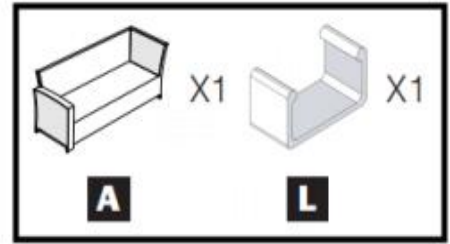


Position the arm (C), onto the armless sofa (B). Loosely secure using M6 x 35mm screws (J), washers (I) and the allen key (K). Tighten when all bolts are fitted.



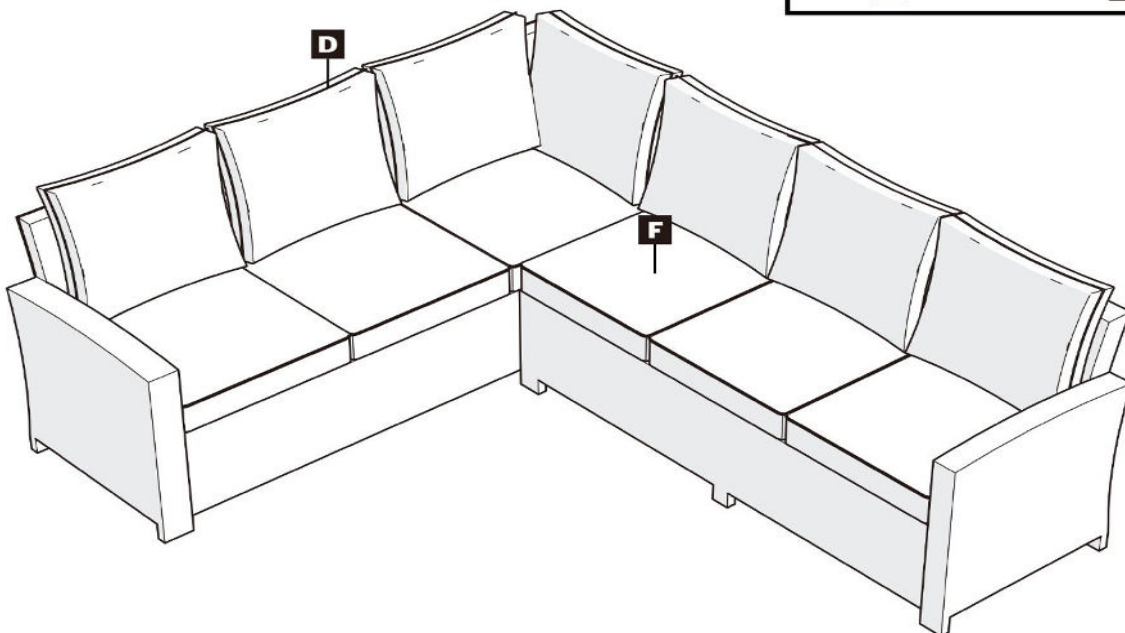
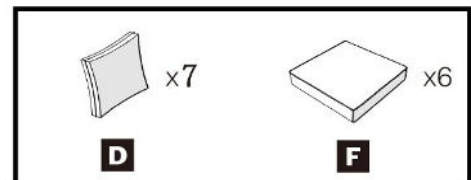
STEP 2

Secure the sofa frame using the sofa clips (L). Align the sofas and secure them together by connecting the two inner parts of the frame. (Two people required).



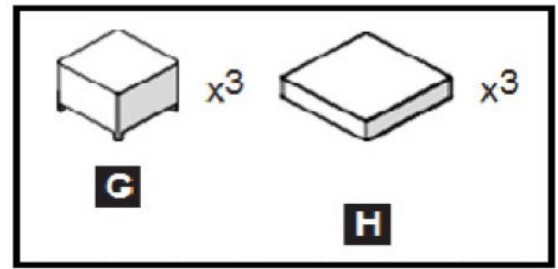
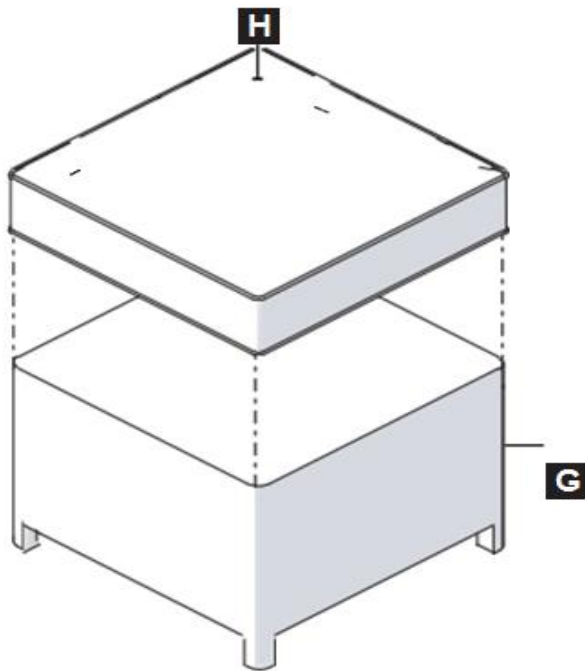
STEP 3

Position the cushions onto the sofa. Ensure the tapered back cushions are placed in the corner of the sofa set.



STEP 4

Position the cushion onto the footstool.



CARE & MAINTENANCE

Our range of Rattan Furniture is designed for continual outdoor use. The frame and weatherproof synthetic weave ensures that you can leave it outside all year round (excluding cushions).

CUSHION CARE

Whilst the cushions are showerproof, it is advised not to leave them out in the rain as this can make them dirty. When the set is not in use, cushions should be stored in a cool, dry place. Do not leave cushions on the furniture if it is not protected by a garden furniture protective cover.

To avoid any stains on your cushion cases, clean up any spills immediately with a damp cloth. If your cushions start to look dirty or marked, remove the cushion filling and hand-wash the cushion case in warm, soapy water. Do not use bleach.

We all have a favourite chair, so it is important to keep all cushions in rotation to ensure equal usage. Swapping cushions between seats will provide even wear on all cushions.

RATTAN CARE

Rattan furniture is so popular due to being very low maintenance. With this being said, it is still strongly encouraged that you look after your furniture with the occasional upkeep.

At the start of the season, we recommend cleaning the rattan pieces with warm, soapy water. You can use a cloth or a soft-bristle brush with gentle pressure. Once you have finished, wash off any residue with clean water from the garden hose. Allow the furniture to dry in the sun before adding on the cushions and putting your feet up.

Most of our rattan products have plastic feet for protection. When moving your furniture, do not drag it across your patio. This can damage the feet of your furniture as well as your patio. Only pick the rattan up by the solid frame, not by the more flexible rattan areas.

We strongly recommend covering your rattan furniture with a garden furniture cover when not in use, this will keep the product in its best possible condition.

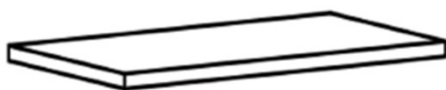
SAFETY ADVICE - THIS PRODUCT IS FOR OUTDOOR USE ONLY.

BEFORE YOU START:

- **Ensure that you read this manual before starting to assemble your item(s).**
- Check that you have all parts from the above parts list. Do not throw away any packaging until you are confident that you have all parts.
- Assemble this product on a soft/flat surface.
- Keep any plastic bags, tools and fittings away from children.
- Throughout the assembly process, make sure all fittings are only finger tight. Upon completion, securely tighten all fittings.
- After prolonged use we recommended you to check all the fittings to ensure that the fittings are tightened securely.
- Please do not modify this product, use other tools or substitute parts to build your item(s).
- Do not use power tools or any other tools other than those recommended to build this product.
- It is recommended that two people should assemble this product.
- To avoid danger, please keep all plastic bags away from children and do not leave tools unattended during the assembly process.
- Depending on the item(s) you have ordered, there may be heavy parts within this packaging. Ensure you lift with the correct posture & technique. Please get help for moving and/or lifting if necessary.
- Please only use this product for its intended purpose as outdoor furniture within a residential environment.
- We do not hold any responsibility for any damages caused due to normal wear and tear, incorrect assembly, misuse and/or negligence
- We reserve the right to make changes for product improvements.
- Please recycle packaging where possible following local recycling guidelines/facilities.

Parts list : Table

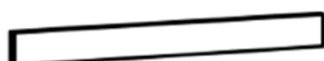
A x1



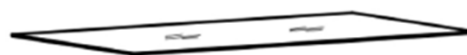
B x2



C x2



D x1



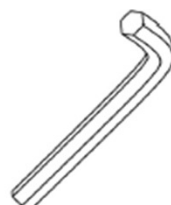
E x12



F x12



G x1



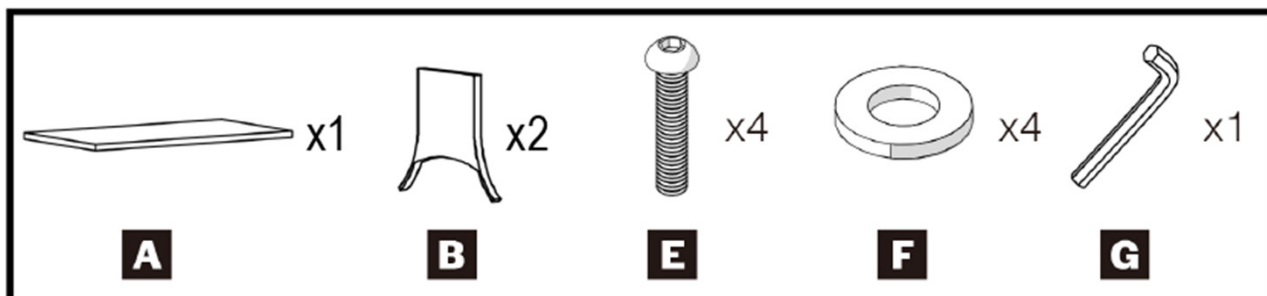
Parts list

Part No	Quantity	Part Description
A	1	Table Top
B	2	Table Leg
C	2	Side Panels
D	1	Glass Panel
E	12	M6 x 35mm Screw
F	12	Washers
G	1	Allen key

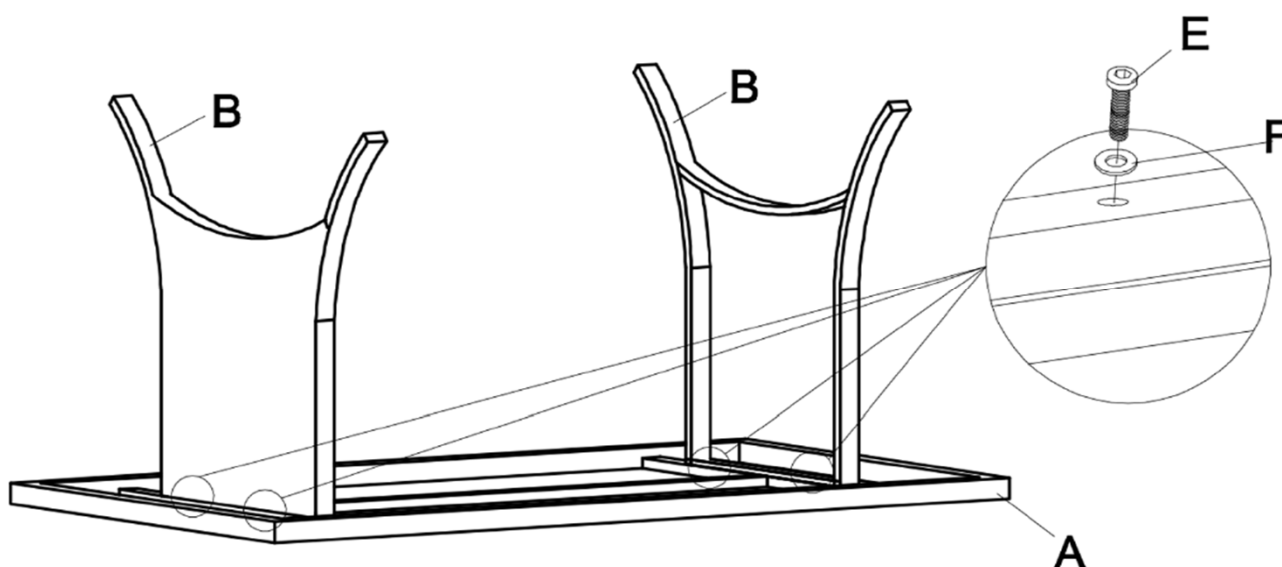
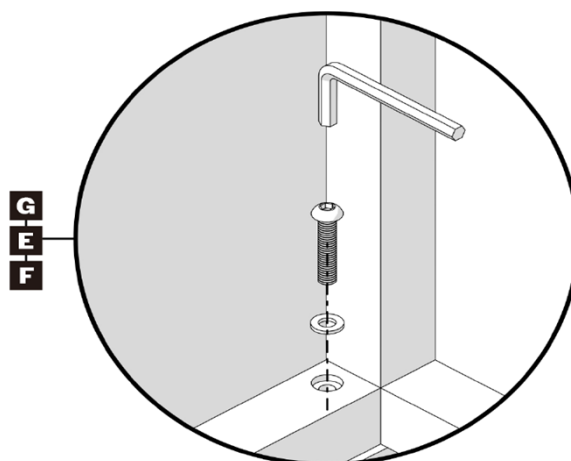
ASSEMBLY

STEP 1

When assembling the furniture, please utilise the outer cardboard packaging, where possible, to protect the product and prevent damages to your furniture .

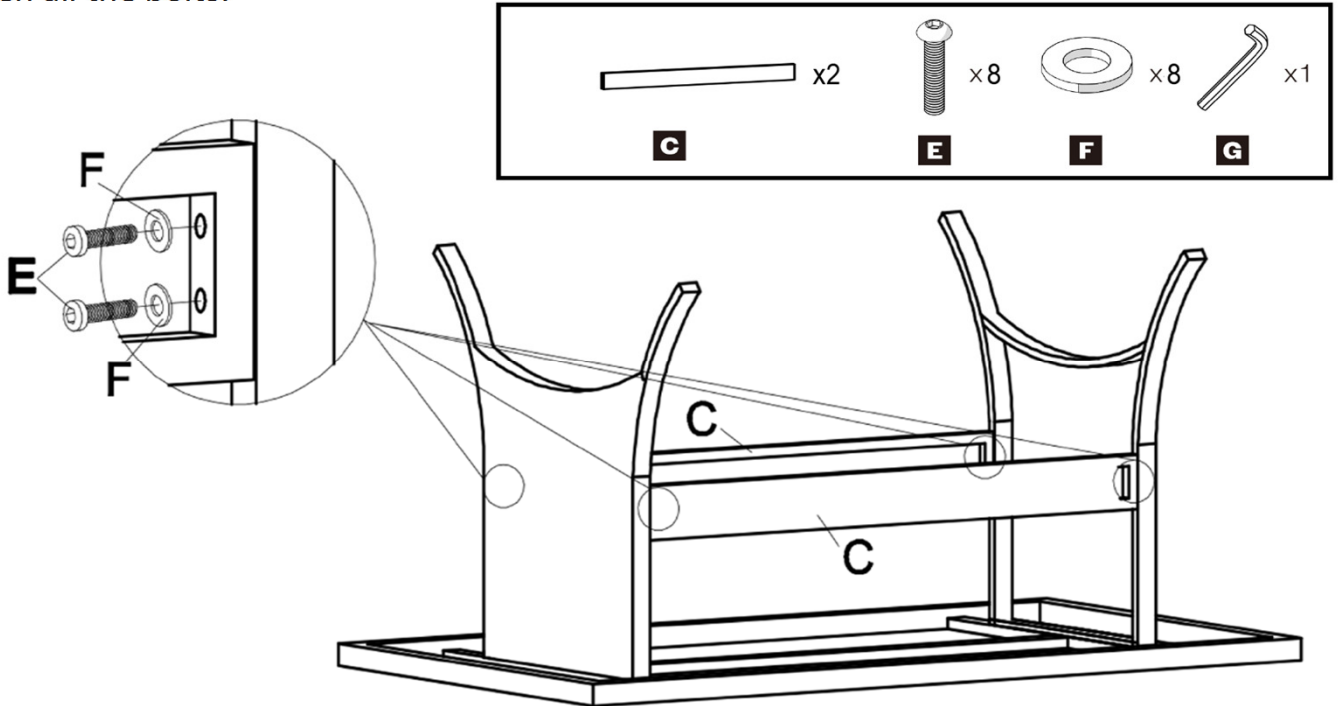


Loosely secure the upper table base (B) to the table top (A) using M6 x 35mm screws (E), washers (F) and the allen key (G). Once secure tighten all the bolts.



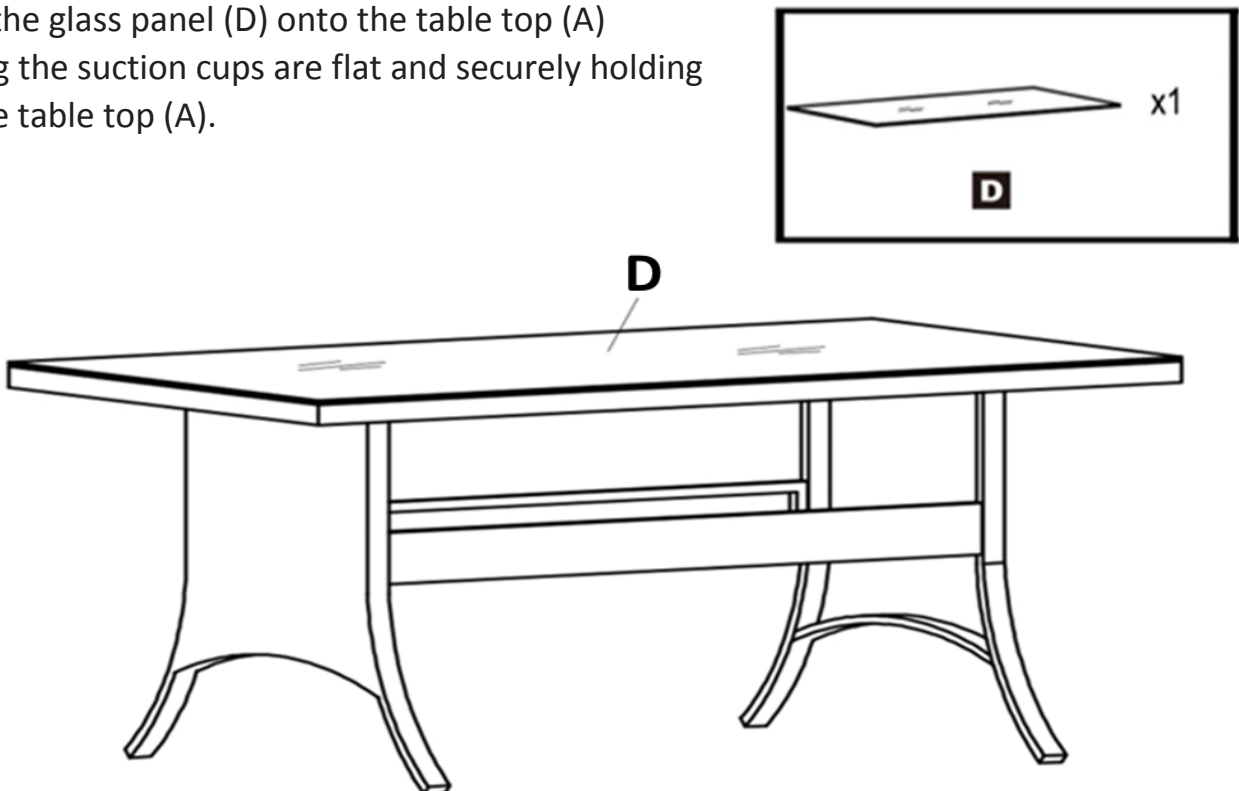
STEP 2

Secure the side panels (C) to the lower table base (B) by positioning the legs onto the lower clips located on the inside of the frame and applying pressure downwards (Two people required) and using M6 x35mm screws (E), washers (F) and the allen key (G). Once secure tighten all the bolts.



STEP 3

Secure the glass panel (D) onto the table top (A) ensuring the suction cups are flat and securely holding onto the table top (A).



Assembling of the table is now complete.

CARE & MAINTENANCE

Our range of Rattan Furniture is designed for continual outdoor use. The aluminium frame and weatherproof synthetic weave ensures that you can leave it outside all year round (excluding cushions).

GLASS CARE

Do not sit or stand on glass surface.

Do not use glass panel as chopping surface.

Do not strike glass panel with hard or pointed items.

Do not place very hot items on the glass surface unless adequate thick table mats are used to protect the glass.

Always use place mats, coasters, and table cloths to help protect against dropped items and scratches on the glass.

Never use abrasives to clean the glass. When cleaning glass panels use a damp cloth or leather with washing up liquid or soft soap if necessary. Do not use washing powder or any other abrasives substances.

We always recommend two people to lift the glass, and when cleaning the underside of the glass.

RATTAN CARE

Rattan furniture is so popular due to being very low maintenance. With this being said, it is still strongly encouraged that you look after your furniture with the occasional upkeep.

At the start of the season, we recommend cleaning the rattan pieces with warm, soapy water. You can use a cloth or a soft-bristle brush with gentle pressure. Once you have finished, wash off any residue with clean water from the garden hose. Allow the furniture to dry in the sun before adding on the cushions and putting your feet up.

Most of our rattan products have plastic feet for protection. When moving your furniture, do not drag it across your patio. This can damage the feet of your furniture as well as your patio. Only pick the rattan up by the solid frame, not by the more flexible rattan areas.

We strongly recommend covering your rattan furniture with a garden furniture cover when not in use, this will keep the product in its best possible condition.

Keep this product out of inclement weather as much as possible.

nustone

Better Patios. Better Prices.

 01206 700 599

 support@nustone.co.uk

 www.nustone.co.uk

Connect With Us

@nustone_uk



Scan me!

To view our full range of:

- Paving
- Fencing
- Furniture
- Planters
- Fireplaces
- Plus much more...